



**FAZE
ECO**
3.0kW

New For 2024



Single Phase Solar Immersion Diverter

Product Overview

Renewable energy systems, such as solar PV panels, generate electricity based on sunlight availability, leading to mismatches between energy production and usage. Excess energy, often sent back to the grid, represents a missed opportunity for savings.

The FAZE ECO, a solar hot water diverter made in the UK, addresses this issue. It is designed for simplicity, featuring a power output display, full battery compatibility, and a manual boost button. The device efficiently redirects any surplus solar energy to heat water, utilizing the existing immersion element.

FAZE ECO is built to last, utilising the highest quality components. Our patented technology makes FAZE ECO the most efficient power diverter available. The core technology has been refined over the past decade to deliver class leading performance. This is backed by a 5 year hassle free warranty.

By converting excess solar power into thermal energy, the FAZE ECO helps reduce dependence on traditional energy sources and lowers utility costs. It's an essential addition for homeowners looking to optimize their systems and achieve better energy utilization and savings.

www.teslauk.com

Email: technical@teslauk.com Tel: 0121 686 8733



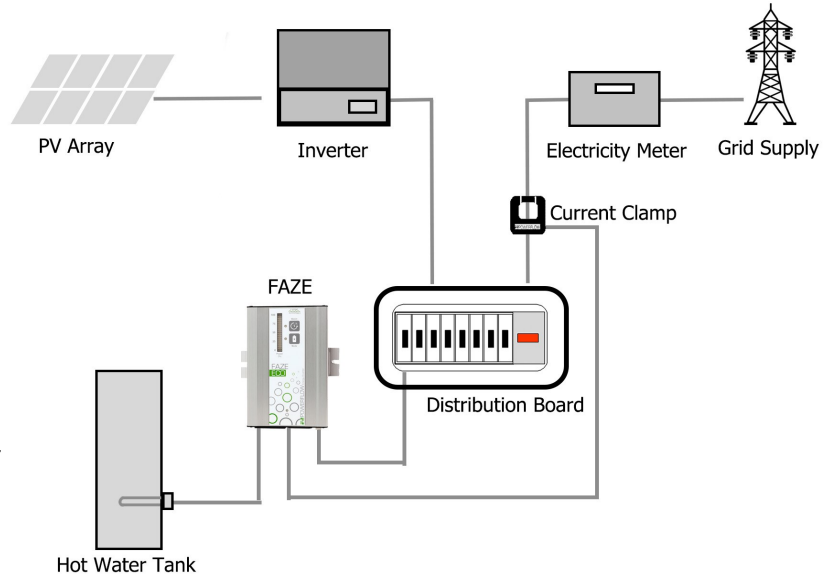
PowerFlow Energy® is a registered trade mark of PowerFlow Energy Ltd.
Dynamic Load Control, a technology embedded within FAZE OEM is a
Patented technology of PowerFlow Energy Ltd.
UK Patent Number: GB2539369

Main Features

- LED Output Display
- Battery Compatibility Button
- Manual Boost Button
- Sealed Aluminum Enclosure
- Plug & Play Power Connections
- 200ms Measurement Frequency
- Convective Cooling
- UK Based Technical Support
- Up to 5 Year Warranty

INSTALLATION NOTE: FAZE ECO can be mounted next to either the consumer board or the hot water cylinder for flexible installation

Typical System Layout



Technical Specifications

Output power: Max / Nominal	3520 / 3000 Watts
Output current: Max / Nominal	16A / 13.6A
Phase Operation	Single Phase
Voltage Range / Frequency	197V—250V / 50Hz
Compatible Generator Type	Solar PV / Wind / Hydro
Recommended renewable generator size	2.0kW or Greater
Output Load	Resistive Only
Output Control Range	5% - 100%
Minimum Load	200W
Minimum export power level / Export tracking range	25w / 25-200w
Dimensions (without connectors) (L / W / H) mm	160 / 109 / 45
Weight	1.1kg
Noise Emissions	<10dBA
Self-consumption (night)	8mA
Degree of protection	IP20
Operating temperature range	-10 °C to +60 °C
Cooling concept	Convective Cooling
Efficiency	98%
Compliant Standards	CE / RoHs / BS EN / EMC / LVD

*Warranty subject to terms and conditions, see latest warranty documentation for full details.

Product specification subject to change without notice.

PowerFlow Energy, F-POINT technology are registered trademarks of PowerFlow Energy Ltd, All rights reserved.

PowerFlow Energy Ltd, 9 Harrow Road, Plough Lane, Hereford, Herefordshire, HR4 0EH, United Kingdom.



Doc Ref: 2024-FAZE-ECO-DATA-V1.1

Last Updated 04.04.2024