

Application

The motorized zone valve has been designed to control the flow of water in iron and copper pipe systems. Although specifically designed for small bore central heating systems, the valve can be used in commercial and industrial applications.

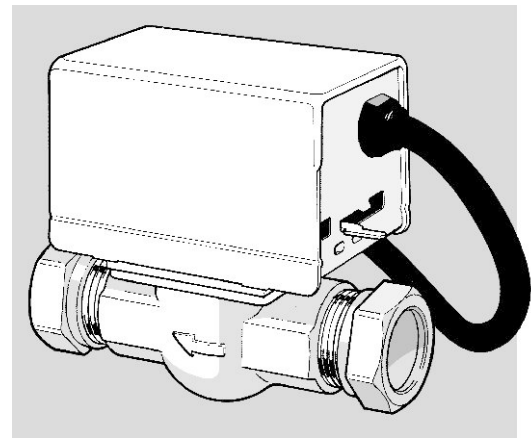
Specifications

Power Supply	: 230 Volts AC 50Hz
Switch Rating	: 2.2A
Switch Type	: SPST (22mm)
Power Consumption	: 6W
Timings (Nominal)	: On: 12 seconds under power Off: 6 seconds under spring return
Ambient Temperature	: 50°C max
Flow Temperature	: 5°C to 88°C max (Special models available for chilled water applications)
Static Pressure	: 8.6 bar max
Flow Direction	: As per arrow on valve body

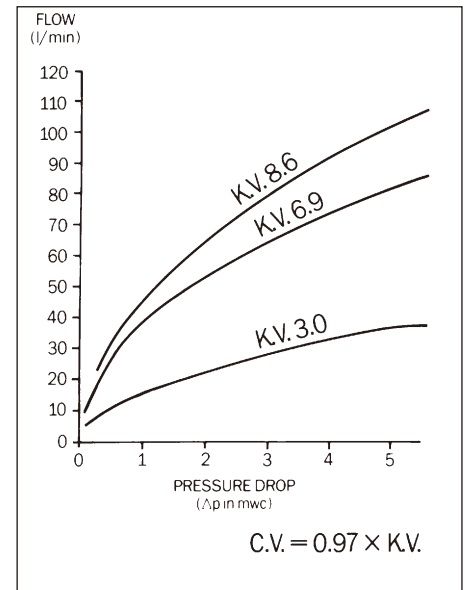
NOTE: Continuous operation of the valve motor at the fully open position is not recommended

Dimensions (mm)

	A	87	
	B	98	
	C	60	
	D	1/2	94
		22mm	104
1"		92	
	28mm	110	



Flow Characteristics



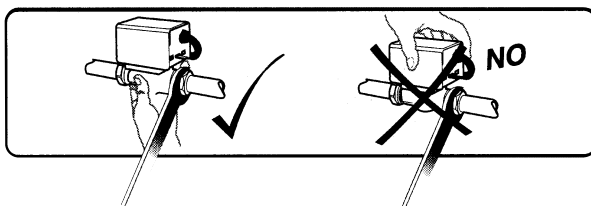
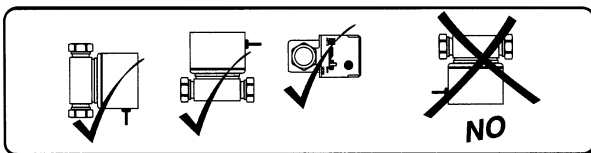
Installation

Incorporates a manual lever, the lever should normally be in 'AUTO' position, but can be moved to 'MAN OPEN' position for system draindown and filling purposes only. Before fitting the valve, read through the plumbing and wiring instructions.

Plumbing

The valve may be plumbed in at any angle but must not be mounted so that the valve head is below the horizontal level of the pipework. In the unlikely event of a leak a safety hazard could result.

Do not grip the valve head while making and tightening up plumbing connections. Attach a spanner (32mm or 1 1/4" AF) onto the valve body at each port, whilst tightening up the nuts. Tighten compression nuts enough to make a watertight seal. TAKE CARE NOT TO OVERTIGHTEN.



Wiring

