

Aladdin®

EasyFit Isolator

Essential Kit
for Plumbers!

Why use the Aladdin EasyFit Isolator?

Aladdin EasyFit Isolator clamps directly onto live pressurised pipe (hot or cold), safely providing a full bore, permanent stopcock, no need to restrict services or freeze pipes.



COPPER PIPE



PEX PIPE



POLYBUTYLENE
PIPE



MULTI LAYER
PIPE

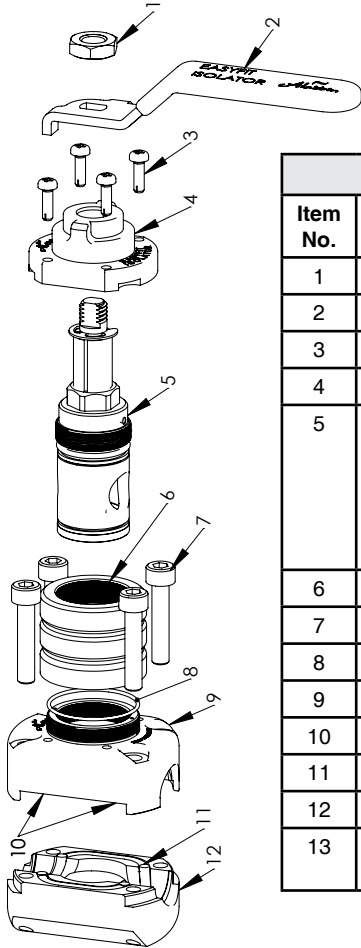
WRAS
1910312 APPROVED
PRODUCT



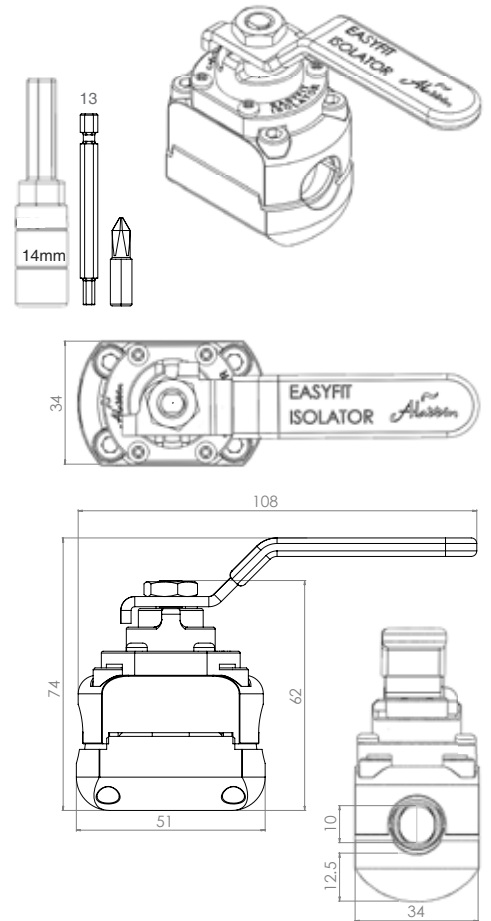
‘WRAS approved Stopcock’

The quick-fit plumbing isolation valve for pressurised pipe

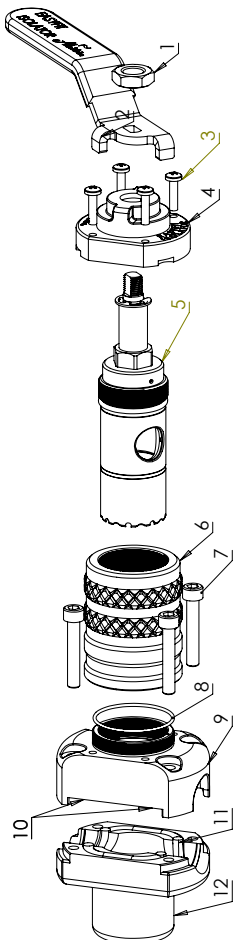
Aladdin®



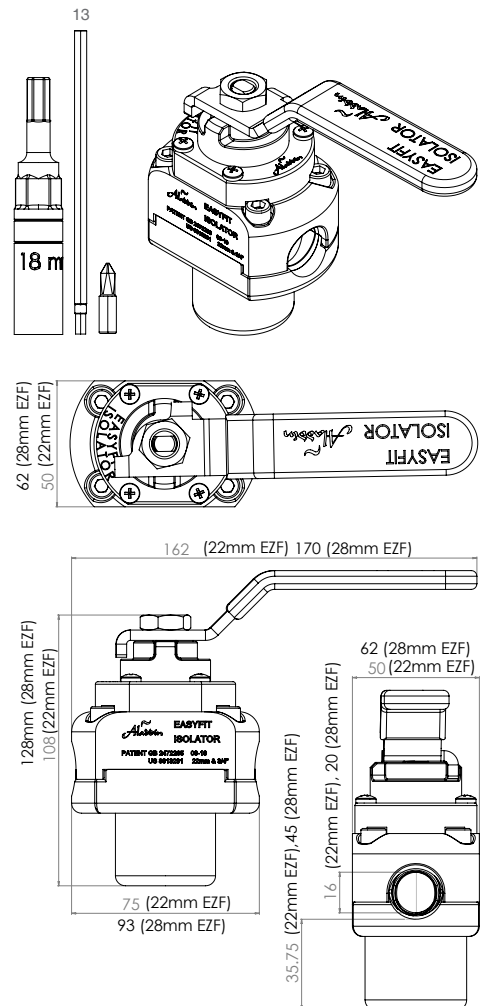
15mm Aladdin EasyFit Isolator		
Item No.	Descriptions & Materials (WRAS Approved EPDM Seals)	No. Units
1	M8* 1.25 Hex Half Nut (Stainless Steel)	1
2	Red and Blue Handle	2
3	M3 * 10 Pozi Pan - A2 SS Machine Screw	4
4	Polyacetal Plastic Cap	1
5	Plug Assembly - High Tensile Brass Plug CZ114 Boot EPDM Shore 70, O-ring 8mm id x 2cs Nitrile Shore 70, O-ring 19mm id x 1.5cs Nitrile Shore 70, Chrome Plated CZ114 Spindle, Polytube, Stainless Steel Circlip, D3 Tool Steel Blade.	1
6	Collar - Aluminium 2011 Disposable Collar	1
7	M5 * 25 Socket Cap Screws	4
8	O-ring 25 id. X 1.0 cs. Nitrile Shore 70	1
9	Upper Housing 304 Stainless Steel	1
10	Half O-rings EPDM Shore 70	2
11	Lower Gasket EPDM Shore 70	1
12	Lower Housing 304 Stainless Steel	1
13	Tool Kit - Tool Steel Long Socket, Tool Steel Hex Socket Driver Bit, Tool Steel Pozi Driver Bit	1



Aladdin®



22mm & 28mm Aladdin EasyFit Isolator		
Item No.	Descriptions & Materials (WRAS Approved EPDM Seals)	No. Units
1	M10 x 1.5 Hex Half Nut (Stainless Steel)	1
2	Red and Blue Handle	2
3	M4 x 16 Thread Forming Screws (22mm Model) M5 x 16 Thread Forming Screws (28mm model)	4
4	Polyacetal Plastic Cap	1
5	Plug Assembly - High Tensile Brass Plug CZ114, Nitrile Boot EPDM Shore 70, O-ring 10mm id x 3cs Nitrile Shore 70 (22mm Model), O-ring 30mm id x 2cs Nitrile Shore 70 - (22mm Model), O-ring 10mm id x 3cs Nitrile Shore 70 - (28mm model), O-ring 37mm id x 2cs Nitrile Shore 70 - (28mm model), Chrome Plated CZ114 Spindle, Polytube, Stainless Steel Circlip, D3 Tool Steel Blade	1
6	Collar - Aluminium 2011 Disposable Collar	1
7	M6 x 35mm Socket Cap Screws BZP M8 x 45mm Socket Cap Screws BZP	4
8	Oring 37mm id x 1.5 Nitrile Shore 70 (22mm) Oring 46mm id x 2 Nitrile Shore 70 (28mm)	1
9	Upper Housing 304 Stainless Steel	1
10	Half O-Ring Gaskets EPDM Shore 70	2
11	Lower Gasket EPDM Shore 70	1
12	Lower Housing 304 Stainless Steel	1
13	Tool Kit - Tool Steel Long Socket, Tool Steel Hex Socket Driver Bit, Tool Steel Pozi Driver Bit	1



Aladdin EasyFit Isolator:

The Quick-fit Plumbing Isolation Valve for Pressurised Pipe

When to use the Aladdin EasyFit Isolator?

- As an emergency shut-off valve for leaking pipework.
- As an emergency isolator where the stop-cock is seized or inaccessible.
- To isolate a heating system component for maintenance.
- To save time on cooling, drain down, refilling and returning to de-aerate.
- Where freezing is required, “no need to freeze” use Aladdin EasyFit isolator to save time without any disruption to services.
- As a convenience device in multi-occupancy buildings (e.g. hotels, shops and HMOs) where water supply needs to be worked on without inconveniencing other occupants.
- When Isolation is required for any water feed hot or cold.
- As a “Green” alternative, particularly to gas-freezing.
- To allow isolation in areas of a building where none exist.

Aladdin EasyFit Isolator (15mm, 22mm & 28mm) Specification	Copper BS EN 1057 (type L & M) 0.7 wall thickness	Copper BS EN 1057 (type K) 1.0 wall thickness	Plastic BS 7291 - PEX, Polybutylene and Multi Layer.
15mm & 1/2" (Range 14.7mm - 15.1mm) Aladdin EasyFit Isolator - On Sale Now!			
Max Operating Pressure	16 bar	16 bar	6 bar
Max Operating Temperature	85 deg. C	85 deg. C	82 deg. C
Manufacturers Warranty	10 yr	10 yr	5 yr
Pipe Size	15mm	15mm & 1/2"	15mm
Pipe Cutting Force	16 Nm	30 Nm	10 Nm
Max Static Pressure Installs at	16 bar	16 bar	10 bar
Max Dynamic Pressure Installs at	6 bar at 40 lit/min	6 bar at 40 lit/min	6 bar at 40 lit/min
22mm & 3/4" (Range 21.5mm - 22.2mm) Aladdin EasyFit Isolator - On General Sale Soon...			
	0.9 wall thickness	1.2 wall thickness	
Max Operating Pressure	16 bar	16 bar	6 bar
Max Operating Temperature	85 deg. C	85 deg. C	82 deg. C
Manufacturers Warranty	10 yr	10 yr	5 yr
Pipe Size	22mm & 3/4"	22mm	22mm
Pipe Cutting Force	30Nm	38Nm	20Nm
Max Static Pressure Installs at	16 bar	16 bar	10 bar
Max Dynamic Pressure Installs at	6 bar at 40 lit/min	6 bar at 40 lit/min	6 bar at 40 lit/min
28mm (Range 28.0mm - 28.6mm) Aladdin EasyFit Isolator - Coming Soon...2020			
	0.9 wall thickness	1.2 wall thickness	
Max Operating Pressure	16 bar	16 bar	6 bar
Max Operating Temperature	85 deg. C	85 deg. C	82 deg. C
Manufacturers Warranty	10 yr	10 yr	5 yr
Pipe Size	28mm	28mm	28mm
Pipe Cutting force	38Nm	45Nm	30Nm
Max Static Pressure Installs at	16 bar	16 bar	10 bar
Max Dynamic Pressure Installs at	6 bar at 40 lit/min	6 bar at 40 lit/min	6 bar at 40 lit/min

Notes: 22mm/28mm Aladdin EasyFit Isolator 2019 Predicted Specification to be Confirmed.

22mm On General Sale Soon...



Aladdin EasyFit Isolator Product Code:

15mm:

EZF03 Starter Pack includes Tool Kit

EZF01 Refill Pack

EZF02 Tool Kit

22mm:

EZF06 Starter Pack includes Tool Kit

EZF04 Refill Pack

EZF05 Tool Kit

28mm:

EZF09 Starter Pack includes Tool Kit

EZF07 Refill Pack

EZF08 Tool Kit

Aladdin EasyFit Isolator Approvals:

WRAS 1910312

KIWA 1909713

Aladdin EasyFit Isolator Product Dimensions:

15mm: 63mm(H), 50mm(L), 34mm(D), 0.40Kg

22mm: 108mm(H), 75mm(L), 50mm(D), 1.23Kg

28mm: 128mm(H), 93mm(L), 62mm(D), 2.63Kg

Packaging Dimensions and Weight:

15mm:

EZF03: 215mm(H), 130mm(L), 35mm(D), 0.545Kg

EZF01: 215mm(H), 130mm(L), 35mm(D), 0.418Kg

EZF02: 135mm(H), 90mm(L), 20mm(D), 0.128Kg

22mm:

EZF06: 220mm(H), 175mm(L), 55mm (D), 1.460Kg

EZF04: 220mm(H), 175mm(L), 55mm (D), 1.250Kg

EZF05: 220mm(H), 60mm (L), 40mm (D), 0.215Kg

28mm:

EZF09: 280mm(H), 225mm(L), 70mm(D), 2.880Kg

EZF07: 280mm(H), 225mm(L), 70mm(D), 2.660Kg

EZF08: 220mm(H), 60mm(L), 40mm(D), 0.215Kg

Packaging Materials:

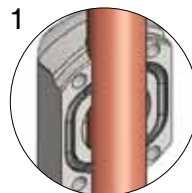
Polybag, Single Fold Card Insert,

Full Colour Folded Paper Instructions.

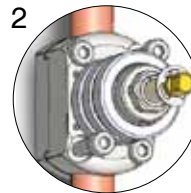
Notes: 22mm/28mm Aladdin EasyFit Isolator 2019
Predicted Specification to be Confirmed.

EasyFit Isolator - Quick Guide

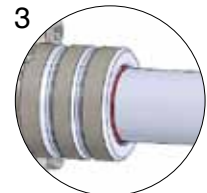
Read full instructions before installing (Enclosed)



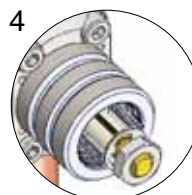
1 Rotate Lower Housing onto pipe



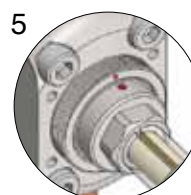
2 Clamp Housing using x 4 Bolts



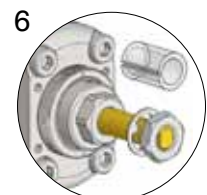
3 With Socket on Drill in low gear, drive down to Reference Line (Red UK 15mm or Blue USA 1/2")



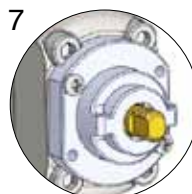
4 Remove Collar



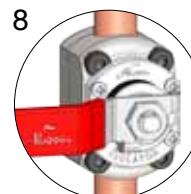
5 Align Red Dots



6 Remove Polytube (NOT CIRCLIP)



7 Fit Plastic Cap & Handle



8 Isolated!

Installation Video



SINGLE USE ONLY

MUST BE installed using the re-usable Aladdin Tool Kit

Aladdin®

For more information visit:
www.aladdin-products.co.uk



For more information visit www.Aladdin-Products.co.uk, Aladdin Trade Mark 2326221, Patent: GB 2472265, Published 2019.

