

Vessel Sizing Guide

The expansion vessel kit required should be sized to the system's capacity or the rating of boiler used. The following guide can be used to size vessels up to 35 litres:

Vessel Kit	Static Head (Metres)	System Volume (Litres)	BTU	KW
5 Litre	5	87	30,366	8.9
	10	69	22,559	7.18
8 Litre	5	139	45,024	14.33
	10	111	36,133	11.50
12 Litre	5	208	67,804	21.58
	10	167	54,199	17.25
18 Litre	5	313	102,115	32.50
	10	250	81,157	25.83
	15	188	60,483	19.25
24 Litre	5	435	135,321	43.07
	10	348	105,331	34.48
	15	261	81,356	25.90
35 Litre	5	696	197,925	63.00
	10	557	158,020	50.30
	15	417	117,716	37.50

* NB - All values shown are approximate

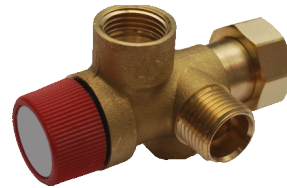
Stay connected



Follow us on Twitter
@TeslaUK



Tesla (UK) Ltd



3 bar Valve Housing



Gauge



Filling Loop with isolation and double check valve



Nut & Olive

Tesla UK Ltd
Unit 3b, First Avenue
Minworth, Sutton Coldfield
West Midlands
B76 1BA

Tel: +44 (0)121 686 8711 Fax: +44 (0)121 686 8712
www.teslauk.com

Tesla UK Ltd reserves the right to make changes to the product which may affect the accuracy of information contained in this leaflet.

V2 October 2017



Tesla (UK) Ltd

Sealed System Kit INFORMATION LEAFLET



The Teslafit Sealed System Kit utilises proven technology in a modular, easy to use form. It is designed to make initial installation of a sealed system or conventional vented heating system to a sealed heating system, as easy as possible.

Teslafit Sealed System Kit

Description

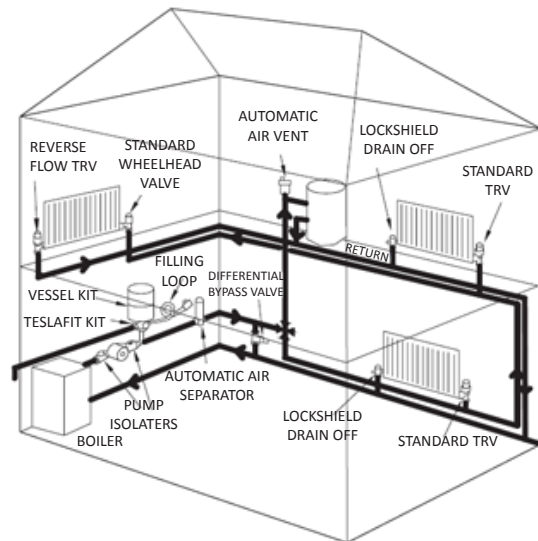
The Tesla sealed system kit contains all the basic control functions needed for a sealed system when an expansion vessel and mounting bracket are used. A filling loop (consisting of a double check valve/isolator, a flexible hose and a shut-off valve) a pressure gauge to show system pressure; and a 3 bar pressure relief valve, which is part of a connection manifold.

Working Parameters and Specifications

Maximum pressure:	3bar
Maximum operating temperature, vessel:	99°C
Maximum operating temperature, check valve and hose:	65°C

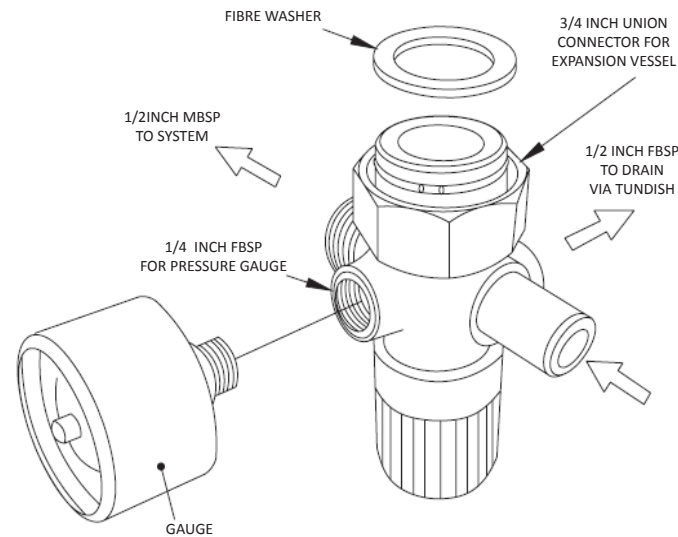
Installation

1.1 Select where the Tesla sealed system kit will be fitted, ideally it should be fitted at a neutral point in the system.



1.2

Mount the vessel to the wall using the bracket (sold separately) then following the instructions supplied with the expansion vessel, adjust the pressure in the vessel to 0.2 bar or 0.3 bar above the static pressure



1.3

Connect the 3/4" union connection on the manifold to the expansion vessel.

NOTE: The system can be installed in any orientation as long as the seat of the pressure relief valve is drained and access can be gained to the charging part of the vessel.

1.4

Connect the pressure relief drain 1/2" FBSP connection so it takes any discharged water to a safe outlet via a tundish.

1.5

Connect the single isolator on the filling loop to the spigot on the manifold.

1.6

Connect the 15mm compression outlet connection of the manifold to the heating system.

1.7

Connect the pressure gauge to the 1/4" FBSP connection on the manifold

1.8

Fit the 1/4" turn ball valve (incorporates double check valve) to the mains supply and using the flexible hose connect the mains to the single isolator.

1.9

Turn the water supply on and slowly open the quarter turn valve until the system starts to fill. Check for leaks and if none are found, continue to fill the system up, until 0.2bar below the charge pressure of the expansion vessel. Check that no air is trapped in the system and if not, disconnect the hose.

2.0

The system can now be commissioned.



Technical Support
+44 (0)121 686 8733