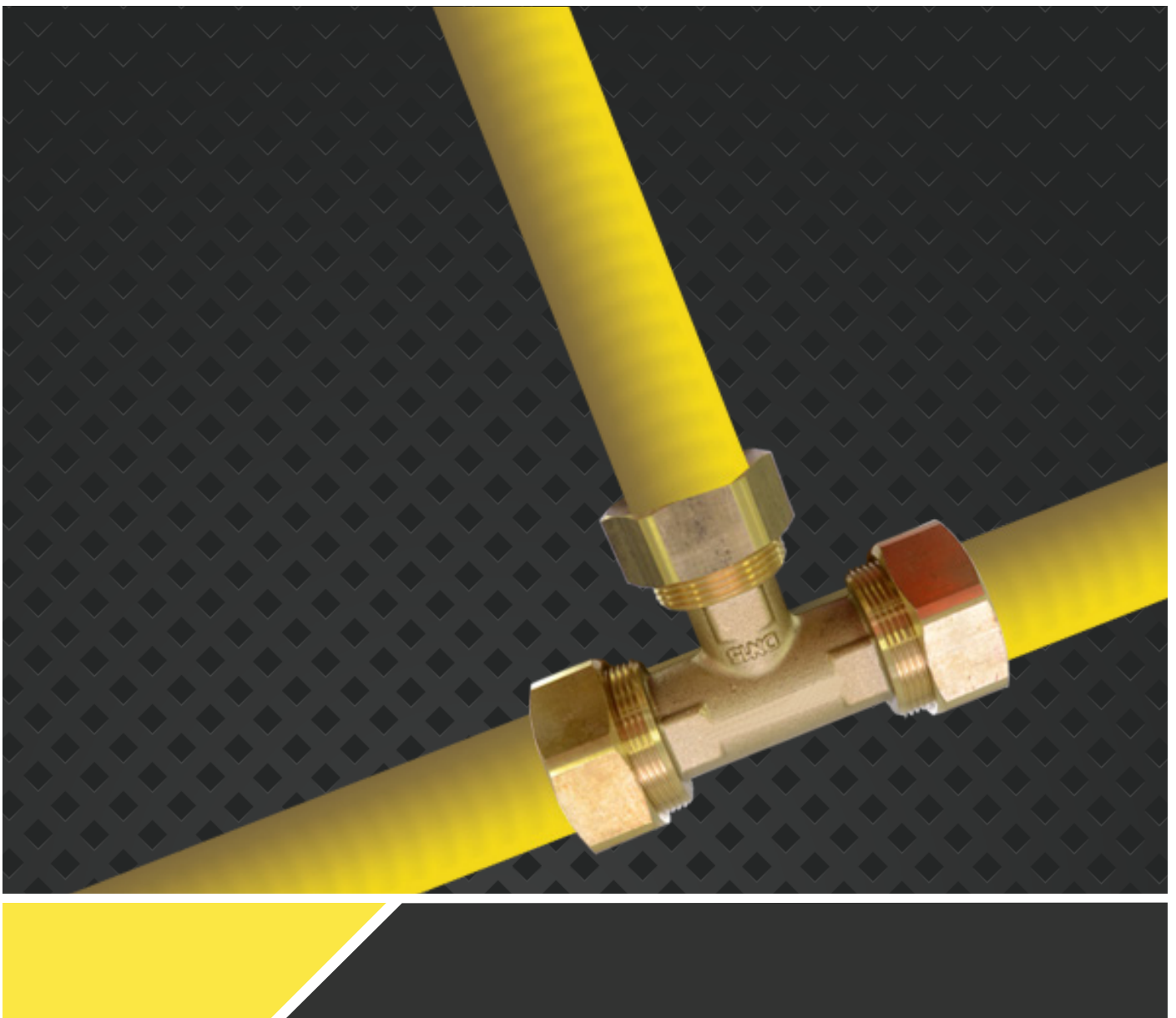




---

# TeslaFlex - Corrugated Stainless Steel Tubing

MANUFACTURED TO EN15266 / BS7838



# Product Overview

Manufactured to EN15266 / BS7838

## Starter Kits

Our starter kits contain everything you need to get up and running, use along with the instructions to ensure a perfect installation every time.

Code	Size
TFX1210KIT	DN12
TFX3410KIT	DN15
TFX0110KIT	DN22
TFX11410KIT	DN28

### What's included

- 10 metre coil of pipe
- 2 x male adaptors
- 1 x roll of self amalgamating tape
- Fitting instructions



## Tubing

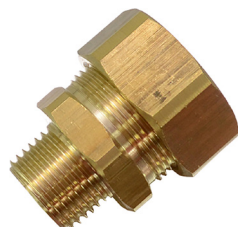
- EN15266 / BS7838
- Can be buried in concrete
- Meter markings



Code	Size	Length	Weight (kg)
TIF1210BS	DN12	10m	3
TIF1230BS	DN12	30m	6
TIF1275BS	DN12	75m	19
TIF3410BS	DN15	10m	3
TIF3430BS	DN15	30m	7
TIF3475BS	DN15	75m	20
TIF0110BS	DN22	10m	3.5
TIF0130BS	DN22	30m	9
TIF0175BS	DN22	75m	33
TIF11410BS	DN28	10m	4
TIF11430BS	DN28	30m	12
TIF11475BS	DN28	75m	35
TIF11210BS	DN32	10m	7.6
TIF11230BS	DN32	30m	17.6
TIF11275BS	DN32	75m	41

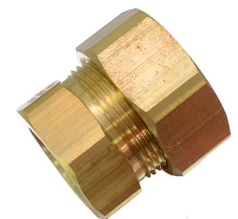
Note: 75m lengths supplied on bobbins

## Male Adaptors



Code	Size
TFXM1212	DN12 x 3/8"
TFXM1512	DN15 x 1/2"
TFXM2034	DN22 x 3/4"
TFXM251	DN28 x 1"
TFXM32114	DN32 x 1.1./4"

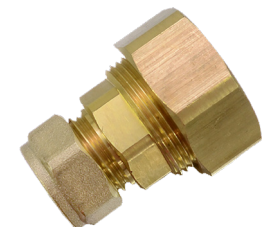
## Female Adaptors



Code	Size
TFXF1212	DN12 x 3/8"
TFXF1512	DN15 x 1/2"
TFXF2034	DN22 x 3/4"
TFXF251	DN28 x 1"
TFXF32114	DN32 x 1.1./4"

## Adaptors

DN to Compression



Code	Size
TFX1215C	DN12 x 15mm
TFX1515C	DN15 x 15mm
TFX1522C	DN15 x 22mm
TFX2022C	DN22 x 22mm
TFX2522C	DN28 x 22mm

## Couplers



Code	Size
TFXC12	DN12
TFXC15	DN15
TFXC20	DN22
TFXC25	DN28
TFXC32	DN32

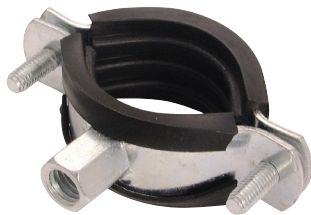
## Split Rings



Code	Size
TFXCR12	DN12
TFXCR15	DN15
TFXCR20	DN22
TFXCR25	DN28
TFXCR32	DN32

## Rubber Lined Clips

- Universal M8/M10
- Anti-vibration
- Mild Steel, Zinc Plated



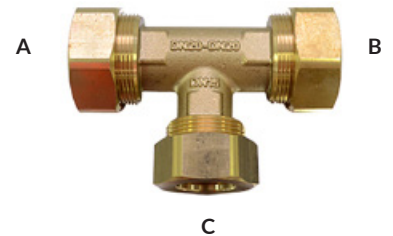
Code	Size	For Pipe Size
RLC1419	14-19mm	DN12
RLC2025	20-25mm	DN15
RLC2631	26-31mm	DN22
RLC3236	32-36mm	DN28
RLC3843	38-43mm	DN32

## Clip Accessories



Code	Size
RLCBP	M8/M10 backplate
RLCBPM	M10 male backplate

## Tees



Code	A	B	C
TFXT201515	DN22	DN15	DN15
TFXT201520	DN22	DN22	DN15
TFXT20	DN22	DN22	DN22
TFXT252020	DN28	DN22	DN22
TFXT252520	DN28	DN22	DN28
TFXT25	DN28	DN28	DN28

## Tape

- Self amalgamating
- Protects the exposed hose against corrosion

Code	Size
TIFTAPE	25mm x 3m



## Test point valves

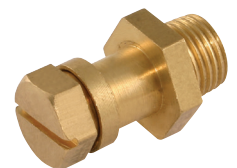
- Full bore
- 1/4 turn
- CE marked
- EN331 approved
- Includes low pressure test point



Code	Size
GT/BVL34	3/4"
GT/BVL1	1"

## Test point nipple

Code	Size
GTN18	1/8"



## HOB FLEX

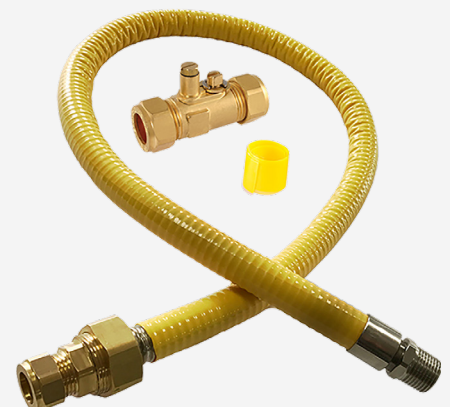
### Gas hob connecting hose

Code	Size / Description
HFLEX	1/2" x 15mm x 1m
HFLEX+	1/2" x 15mm x 1m (includes test point ball valve)

- Saves time & allows ease of installation for gas hobs
- Can be cut to length
- EN15266 semi-rigid pipe
- Kitemark approved
- DN15 x 15mm connector
- Includes self amalgamating tape



KM646363



# Quick Install Guide

## TeslaFlex CSST System

1

### Cut pipe to length

Cut the TeslaFlex tubing using a suitable pipe cutter ensuring the cut is centred in the valley between corrugations, and the cutter is only slightly tightened on each full revolution around the tube.

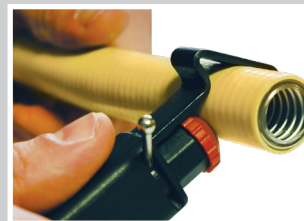
The cut should be clean with no sharp metal edges.



2

### Remove Cover

Using a utility knife or a suitable stripper, safely remove about 40mm of PVC cover to allow the assembly of fittings.



3

### Place fitting

Place the TeslaFlex nut over the pipe followed by the split ring ensuring the fitting has been assembled in accordance to figure 1. The split ring must be placed over the first corrugation with the flat face pointing towards the fitting. Screw the TeslaFlex fitting body into the nut.

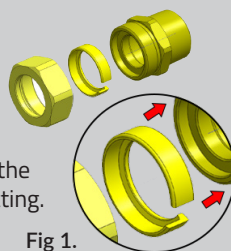


Fig 1.



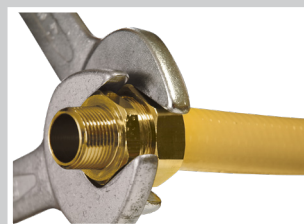
4

### Tighten

Tighten the nut and fitting using two suitably sized spanners. The seal is formed when the last corrugation deforms around the split ring inside the fitting.

Make sure that sufficient torque is applied to make a metal on metal seal.

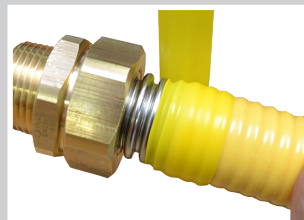
\*Please do not use PTFE or joining compound on the split ring.



5

### Tape

Once a gas tightness test has been performed, cover up the hose corrugations with the TeslaFlex tape before installing to protect the hose against possible corrosion.

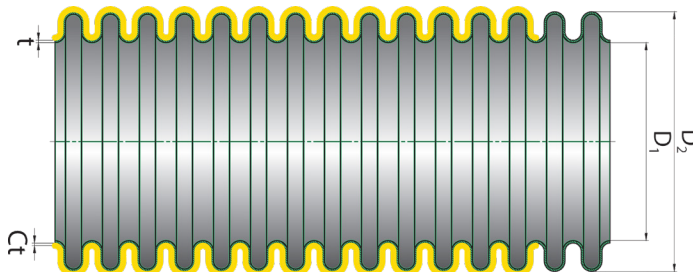


Visit [www.teslauk.com](http://www.teslauk.com) to see our complete design and install guide.

# Technical Information

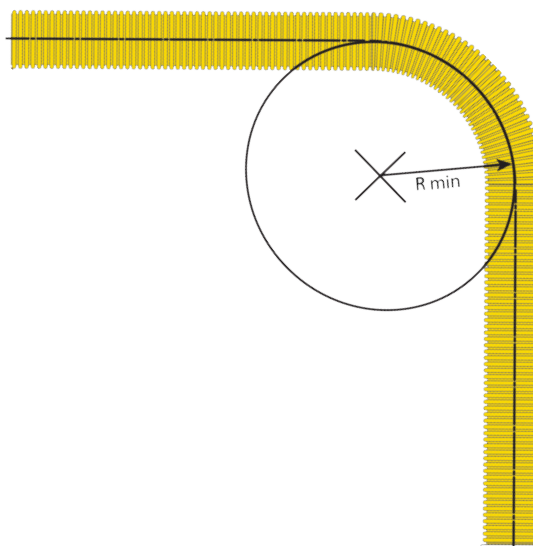
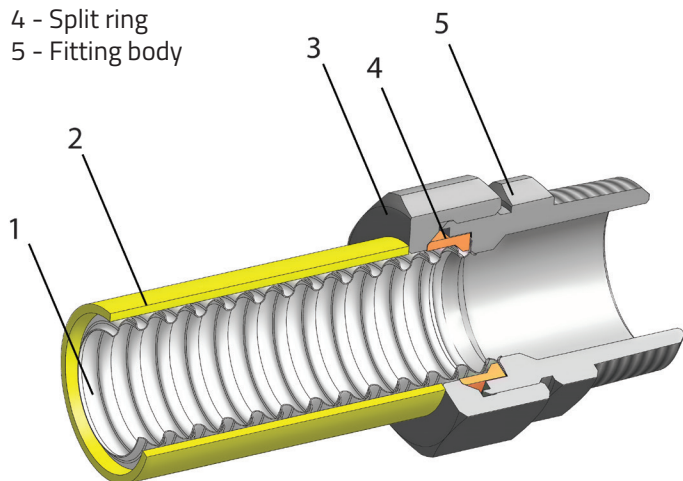
Thanks to its flexible corrugated structure, TeslaFlex CSST can easily adopt directional changes through the connection line, requiring no additional fittings (elbows etc.)

The hose may be bent within the limits of bending radius characteristics, although repeat bending must be avoided.



DN	BSPT Thread	Inside Dia. (Nom)mm D1	Jacket Out Dia. (Max)mm D2	Minimum Bending Radius	Recommended Bending Radius
Size	mm	mm	mm	mm	mm
DN12	3/8"	11.8	16.8	20	140
DN15	1/2"	15.5	21.3	28	160
DN22	3/4"	20.7	27.65	32	170
DN28	1"	25.2	33	40	190
DN32	1.1/4"	33.2	41	50	260

- 1 - Flexible metal hose
- 2 - PVC cover
- 3 - Nuts
- 4 - Split ring
- 5 - Fitting body



**Technical Helpline**

+44 (0)121 686 8733

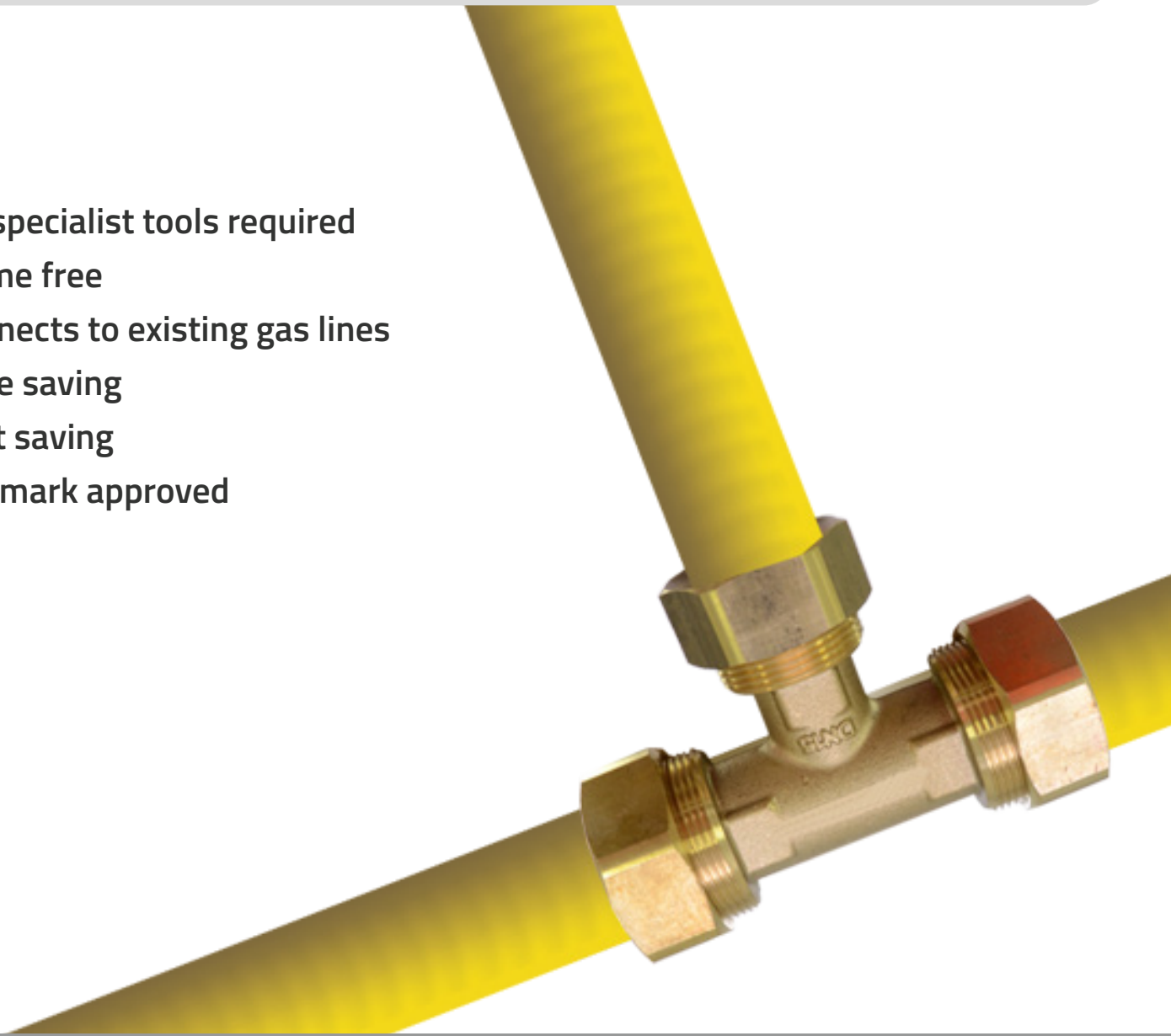
technical@teslauk.com

TeslaFlex is a lightweight semi-rigid corrugated stainless steel tube and fittings system (CSST) that is a time saving, cost effective alternative to rigid pipework for the supply of natural and liquefied gases (LPG) in domestic buildings.

TeslaFlex is manufactured to the European Standard EN15266 and BS 7838-1996, referring to 'Stainless Steel pliable corrugated tubing kits in buildings for gas with an operating pressure up to 0.5bar'. The aim of the Standard is to improve the safety level for domestic natural gas connections in the building and to provide countless benefits for both users and installers.

The TeslaFlex system prevents heavy lifting, extensive measuring, cutting and threading with connections completed with simple hand tools safely and quickly.

- No specialist tools required
- Flame free
- Connects to existing gas lines
- Time saving
- Cost saving
- Kitemark approved



# STAY CONNECTED



## Disclaimer / User Warnings

- All gas (Natural gas or LPG) installation work should be carried out by an individual or business who is a member of a body approved by the Health and Safety Executive (HSE). Currently, this is The Gas Safe Register.
- TeslaFlex shall be installed as per the manufacturer's installation instructions
- Only items approved for TeslaFlex CSST are to be used in the installation. TeslaFlex products are not compatible with other manufacturer's gas tubing systems. The mixing of products from other manufacturer's systems may result in failure of the system with possibly serious consequences. Improper installation or use may result in accidents such as explosions or asphyxiation etc.
- Ensure that where there is responsibility for design work, the installation is correctly sized and meets the appropriate Building Regulations, British Standards and the Gas Safety (Installation and Use) Regulations 1998.
- No naked flame shall be used within the area of TeslaFlex CSST.
- It is the Users/Installers responsibility to ensure that the necessary personal protective clothing is worn when installing TeslaFlex and care should be taken to avoid any possibility of injury when handling TeslaFlex.
- Ensure the TeslaFlex system is correctly bonded and grounded.
- Refer to the manufacturer's helpline where assistance is needed.

## Within the UK the system must be installed with the relevant UK Installation Standards

- BS6891- Installation of low pressure gas pipework of up to 35mm R 1 ¼" in domestic premises.
- BS5482- Code of Practice for domestic butane and propane gas burning installations Part1: Installations at permanent dwellings, residential and commercial premises, with installation pipework sizes not exceeding DN25 for steel and DN28 for corrugated stainless steel or copper.
- IGEN/UP/2 – The Installation of Gas Engineers and Managers Communication - Installation pipework on industrial and commercial premises.

*For further installation guidance see Gas Safe Technical Bulletin 120.*



[www.teslauk.com](http://www.teslauk.com)



@TeslaUK

With over 20 years' experience in manufacturing, product development and distribution, Tesla UK Ltd has built its reputation through the UK as a primary supplier of in-depth product ranges dedicated to the gas, plumbing & heating industries. Tesla's expertise and manufacturing facilities are utilised by the industry to support product supply and competitive pricing to meet market requirements. We have ISO9001 certificated factories for product manufacture and many products hold British Standards, WRAS, Gas and OFTEC certificates.

Teslaflex is a Registered Trademark. E \* OE.

Sales: +44 (0) 121 686 8711  
Technical: +44 (0) 121 686 8733  
Fax: +44 (0) 121 686 8712  
Email: [sales@teslauk.com](mailto:sales@teslauk.com)

Tesla UK Ltd  
Unit 3b, First Avenue  
Minworth  
Sutton Coldfield  
West Midlands  
B76 1BA