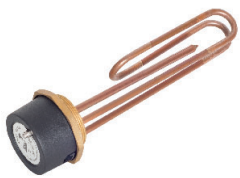




# TESLA

## HEATING ELEMENTS PRODUCT GUIDE



# Choosing the right immersion heater

There are a number of factors that need to be considered when selecting the right immersion heater for your application. Whether it be a vented, unvented, economy 7, solar system, copper or stainless steel cylinder and side or top mounted.

Selection of the boss/head size, kW requirement, length of the immersion heater, and finally the correct immersion heater material that is conducive to the water hardness in your geographical area.

Information of suitability and a map illustrating levels of water hardness are detailed below.

If you need assistance in selecting the correct element please call our technical helpline: 0121 686 8733.

All our immersion heaters are BEAB Approved and compliant with BS EN 60335-2-73. Kiwa approved to water regulations and are fitted with a dual function thermostat to control water temperature and protect against over temperature.

## Water hardness map

- Hard to very hard
- Moderate to hard
- Soft

**Soft water areas:** Fit copper.

**Moderate to hard:** We recommend fitting either incoloy or titanium.

**Hard to very hard:** Incoloy will suffice but we recommend fitting titanium which will last longer.



## Technical Support



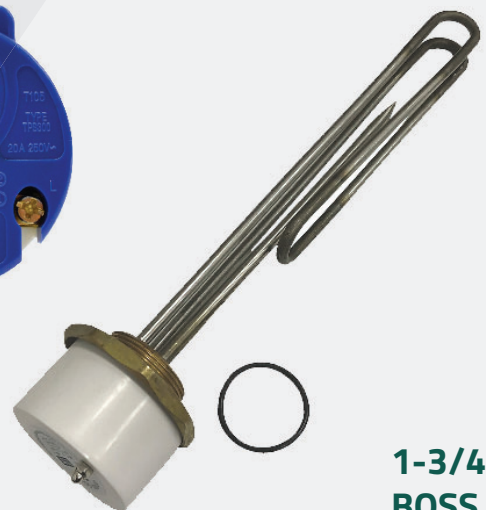
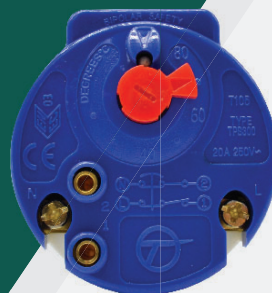
+44 (0) 121 686 8733



technical@teslauk.com

**ALSO AVAILABLE**

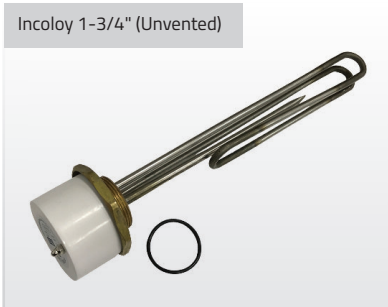
**Immersion Heaters  
for Unvented  
Cylinders**



**1-3/4"  
BOSS**

# Domestic Immersion Heaters

Tesla UK produce a comprehensive range of standard 1-3/4" and 2-1/4" 3kW immersion heaters for use in vented and unvented cylinders. Produced to conform to European Standard BS.EN60335.2.73 the heaters are fitted with combined thermostat and safety over temperature cut-out and provided with a non-asbestos gasket or WRAS approved 'o' ring as applicable.



Nominal Length	Boss Size	kW @ 240v	Thermostat length	Copper w/ Copper Pocket	Incoloy w/ Copper Pocket	Incoloy w/ Incoloy Pocket	Titanium w/ Incoloy Pocket
11"	2 1/4" BSP	3	7"	TIH505	TIH540	TIH640	TIH565
11"	2 1/4" BSP	1	7"			TIH641	
14"	2 1/4" BSP	3	7"	TIH510	TIH545	TIH645	TIH570
14"	1 3/4" BSP	3				TIH476PI	TIH572PI
14"	1 3/4" BSP	2	7"			TIH644	
14"	1 1/2" BSP	3	7"			TIH475	
14"DB	2 1/4" BSP	3	11"		TIH546	TIH646	
18"	2 1/4" BSP	3	11"	TIH515	TIH547	TIH647	
23"	2 1/4" BSP	3	18"	TIH520	TIH548	TIH648	
24" / 11"	2 1/4" BSP	3/2		TIH460		TIH481	
27"	2 1/4" BSP	3	18"	TIH525	TIH550	TIH650	TIH585
27"	2 1/4" BSP	2	18"			TIH651	
27"	2 1/4" BSP	1	18"			TIH642	
27" / 11"	2 1/4" BSP	3/2	18"	TIH465		TIH486	
30"	2 1/4" BSP	3	18"	TIH530	TIH555	TIH655	
36"	2 1/4" BSP	3	18"	TIH535	TIH560	TIH660	
36"/11"	2 1/4" BSP	3/2	18"	TIH467		TIH498	

# TESLA UK

Unit 3b, First Avenue  
Minworth  
Sutton Coldfield  
West Midlands  
B76 1BA

P : + 44 (0) 121 686 8711  
F : +44 (0) 121 686 8712  
E : [sales@teslauk.com](mailto:sales@teslauk.com)  
W : [www.teslauk.com](http://www.teslauk.com)